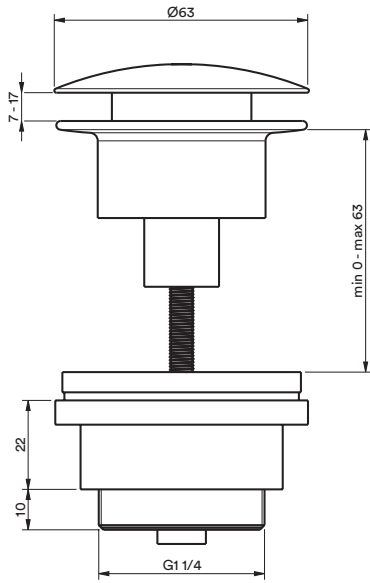


STEEL

UNI - SS - 001

Universa Waste for Basin or Bath

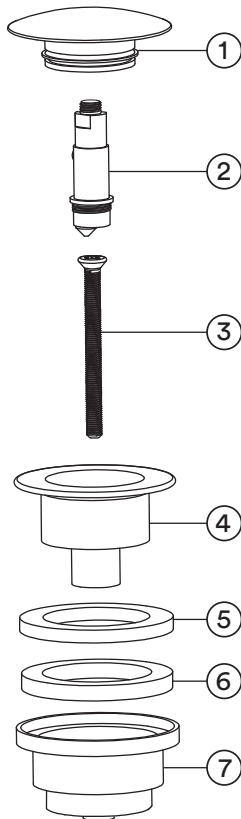
TECHNICAL SPECIFICATIONS



PRODUCT



DETAILED ASSEMBLY



| No | Description | Qty | Material |
|----|---------------|-----|----------|
| 1 | Lid | 1 | SUS-304 |
| 2 | Spring Switch | 1 | HPb59-1 |
| 3 | Screw | 1 | SUS-304 |
| 4 | Base Grating | 3 | SUS-304 |
| 5 | Gasket | 1 | EPP |
| 6 | Gasket | 1 | NBR |
| 7 | Main Body | 1 | SUS-304 |

FEATURES

- 15 year warranty.
- 304 stainless steel.

WARRANTY

Refer to joansa.co.za for warranty terms & conditions.

CARE

Preparation:

Apply copper slip lubricant to prevent seizing of threaded fasteners.

Cleaning:

- Remove dirt using clean water and a soft cotton cloth.
- Clean the stainless steel surface with:
 - Gentle liquid detergent.
 - Colourless glass cleaner.
 - Non-abrasive polishes.
- Dry and remove all cleaning material with a soft cotton cloth.



+27 (021) 510 0489
30 Royal Road, Maitland,
Cape Town. 7405. South Africa