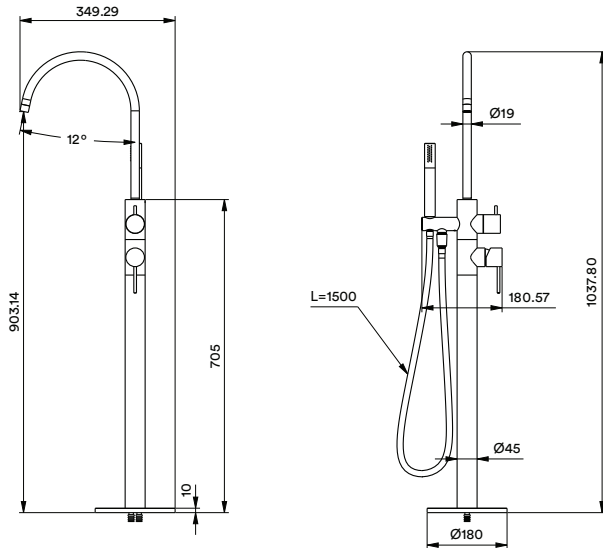


TECHNICAL SPECIFICATIONS



PRODUCT

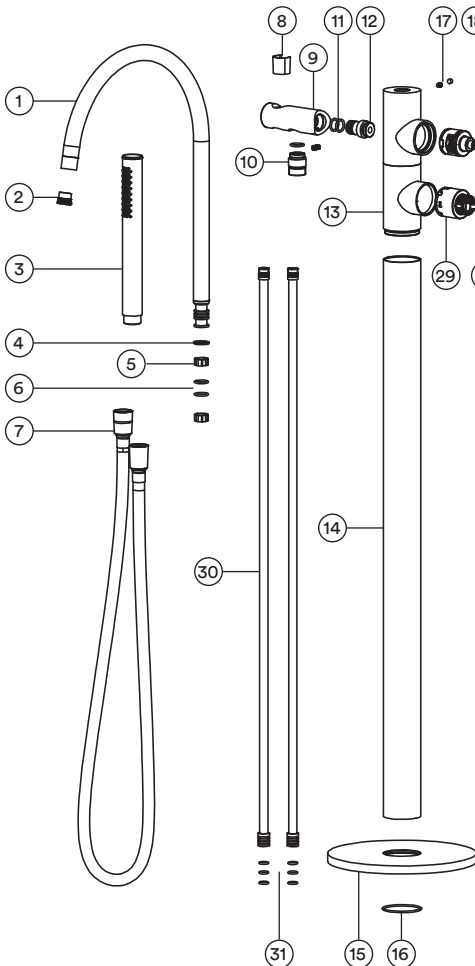


STEEL

MIX - SS - 006

Freestanding Bath Mixer including Handshower

DETAILED ASSEMBLY



No	Description	Qty	Material
1	Spout	1	SUS-316
2	Aerator	1	ABS
3	Hand Shower	1	Assembly
4	Rubber Gasket	1	NBR
5	Wear-resisting Ring	2	POF
6	O-Ring	2	NBR
7	SS Hose	1	SUS-304
8	Wear-resisting Ring	1	POF
9	Shower Bracket	1	SUS-304
10	Joint	1	SUS-304
11	O-Ring	2	NBR
12	Joint	1	SUS-304
13	Body	1	SUS-316
14	Stand	1	SUS-316
15	Base	1	SUS-316
16	O-Ring	1	NBR
17	Grub Screw	1	SUS-3164
18	Cartridge	1	Assembly
19	Wear-resisting Ring	1	POF
20	Lever	1	SUS-316
21	Handle	1	SUS-316
22	Screw	4	SUS-316
23	Handle	1	SUS-316
24	Silicone Particles	3	NBR
25	Lever	1	SUS-316
26	Decorative Cap	1	SUS-316
27	Decorative Cap	1	SUS-316
28	Nut	2	SUS-316
29	Cartridge	1	Assembly
30	Inlet Hose	2	Assembly
31	O-Ring	6	NBR

FEATURES

- 15 year warranty.
- 316 stainless steel.
- European cartridge.
- Flow rate: 20.5 Litres per minute @ 3 bar pressure.
- Concealed body CON-SS-003 required.



WARRANTY

Refer to joansa.co.za for warranty terms & conditions.

CARE

Preparation:

Apply copper slip lubricant to prevent seizing of threaded fasteners.

Cleaning:

- Remove dirt using clean water and a soft cotton cloth.
- Clean the stainless steel surface with:
 - Gentle liquid detergent.
 - Colourless glass cleaner.
 - Non-abrasive polishes.
- Dry and remove all cleaning material with a soft cotton cloth.

CERTIFICATION

JASWIC APPROVED.
SABS TESTED & APPROVED.

Joan

Stainless Steel
with a conscience

+27 (021) 510 0489
30 Royal Road, Maitland,
Cape Town. 7405. South Africa

FLOW RATE

