

Read installation guide and adhere to all instructions.

Installation Instructions

- Check parts against the product parts list. Contact the distributor if any parts are missing.
- Ensure that the product matches the description on the box.
- The body has been tested by the factory. Do not disassemble it.
- Connect the left side to the hot water supply and the right side to the cold water supply.
- Clean any impurities and sludge from the inlet water pipes before assembly to ensure proper functioning.
- Check for any leaks after assembly.
- The medium temperature must not exceed 60°C.
- Recommend Flow Pressure should be 3 bar (including cold water pressure).
- When tightening the connecting nut, do not exceed 10 Nm.
- Avoid bending the hose excessively to prevent deformation after installation.
- If mixer is installed with a continuous flow geyser, the minimum flow pressure of the unit should be the suggested 3 bar.
- Apply copper slip lubricant to prevent seizing of threaded fasteners.

Care and Maintenance

- To maintain the brightness of your mixer, clean it regularly.
- Wash the mixer with clean water and dry it with a soft cotton cloth.
- To avoid damaging the surface, do not use polishing powders or cleaning agents that contain coarse particles.
- Avoid using acidic detergents, as they may cause corrosion.

Cleaning Procedure

- Use clean water and a soft cloth to remove dirt.
- Use any of the following to clean the surface:
 - Gentle liquid detergent
 - Colourless glass cleaner
 - Non-abrasive polishes
- Ensure all cleaning material is removed and dry the mixer with a soft cotton cloth.

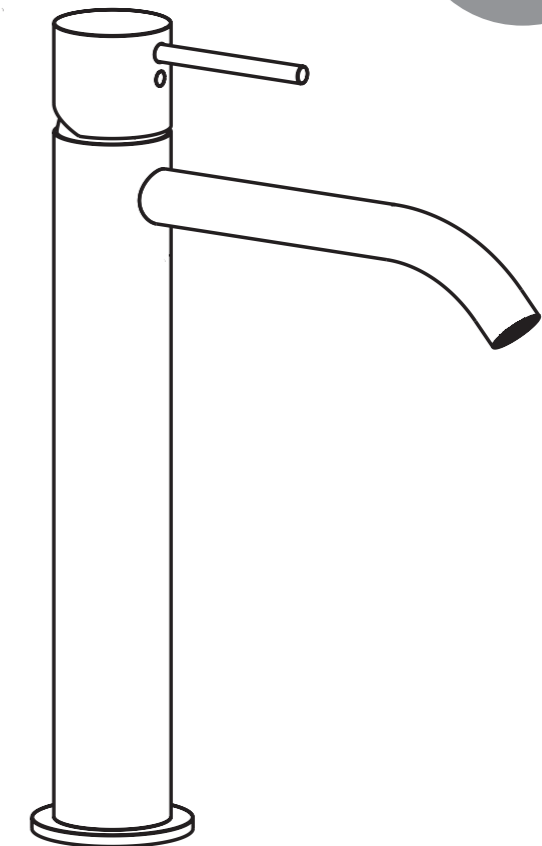
All manuals and documents for the product must be handed to the end user, or liability may be restricted. Installation must be performed by a certified plumber, following national regulations and directives of the local water supply authorities. Compliance with local accident prevention laws is of utmost importance.

Joan

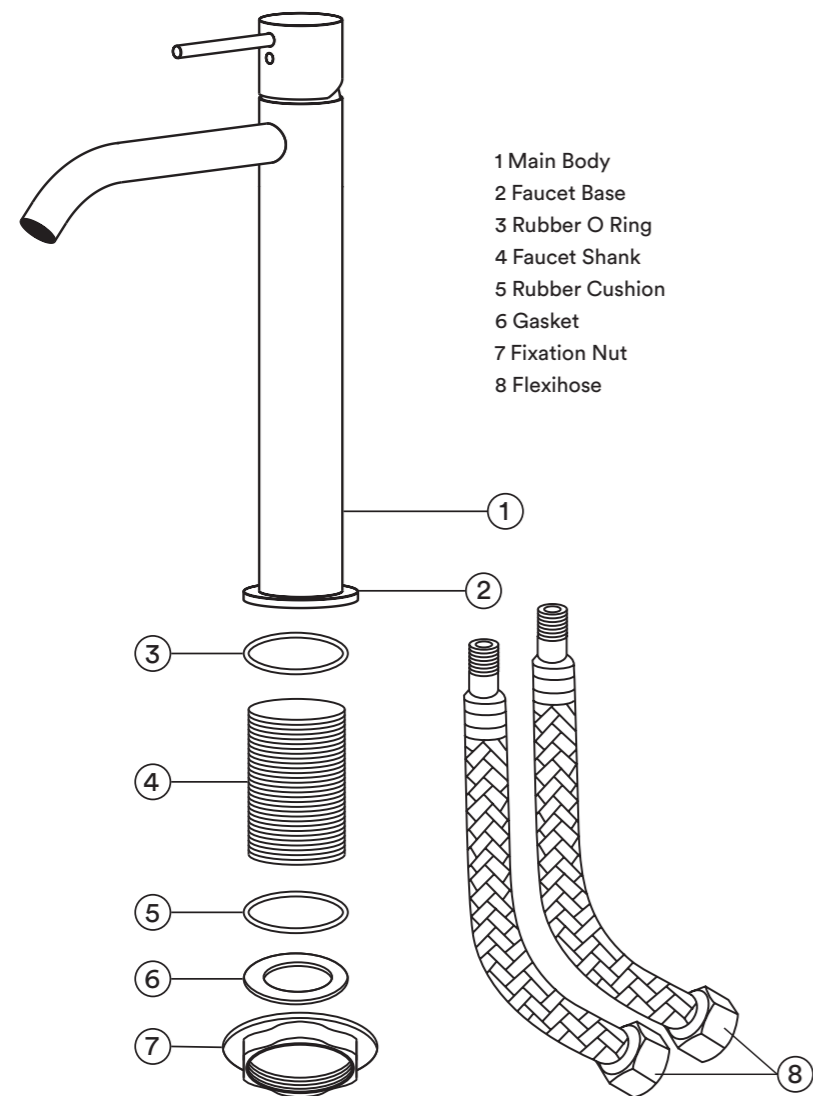
Tall Basin Mixer
MIX-SS-003

Installation Guide

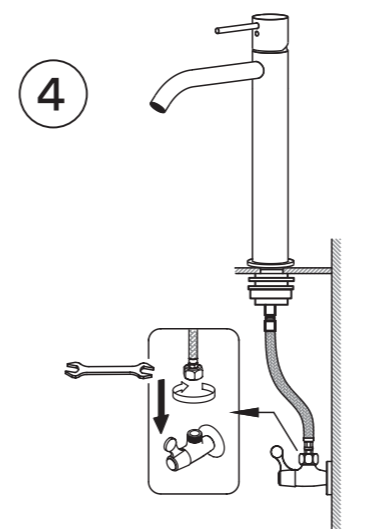
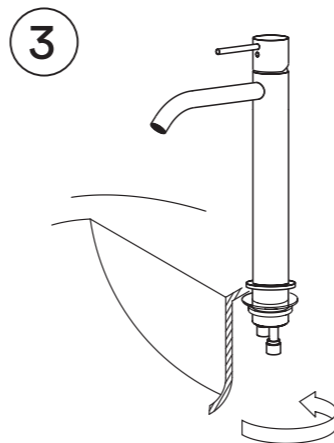
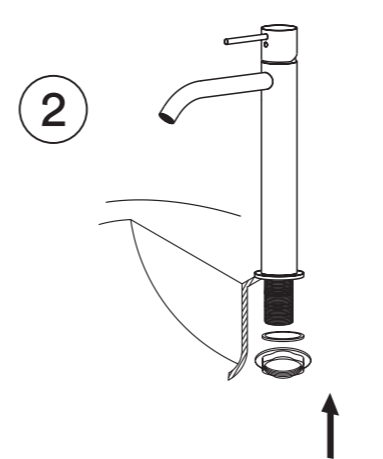
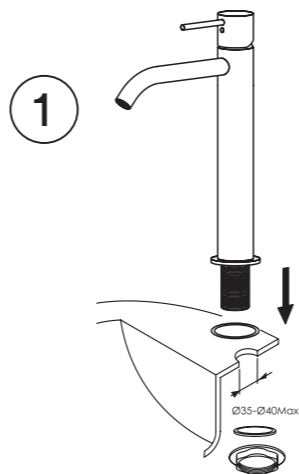
STEEL



Product Parts List



Installation Steps



Joan

Stainless steel tapware
with a clear conscience.

If you have questions regarding the installation or operation, do not hesitate to reach out to the Technical Service department.

(021) 510-0489
www.joansa.co.za