



Stainless steel tapware
with a clear conscience.

If you have questions regarding the installation
or operation, do not hesitate to reach out to the
Technical Service department.

(021) 510-0489
www.joansa.co.za

Care and Maintenance

- To maintain the brightness of your mixer, clean it regularly.
- Wash the mixer with clean water and dry it with a soft cotton cloth.
- To avoid damaging the surface, do not use polishing powders or cleaning agents that contain coarse particles.
- Avoid using acidic detergents, as they may cause corrosion.

Cleaning Procedure

- Use clean water and a soft cloth to remove dirt.
- Use any of the following to clean the surface:
 - Gentle liquid detergent
 - Colourless glass cleaner
 - Non-abrasive polishes
- Ensure all cleaning material is removed and dry the mixer with a soft cotton cloth.

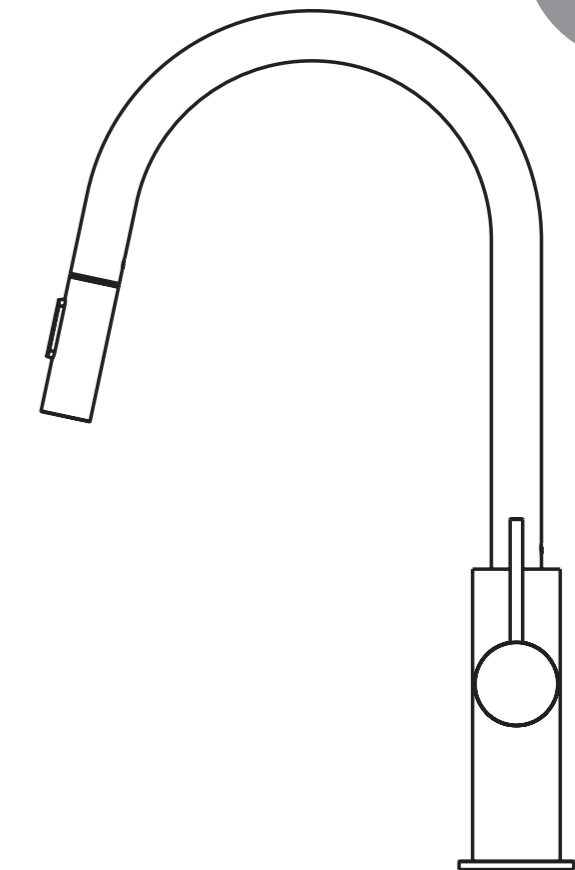
All manuals and documents for the product must be handed to the end user, or liability may be restricted. Installation must be performed by a certified plumber, following national regulations and directives of the local water supply authorities. Compliance with local accident prevention laws is of utmost importance.



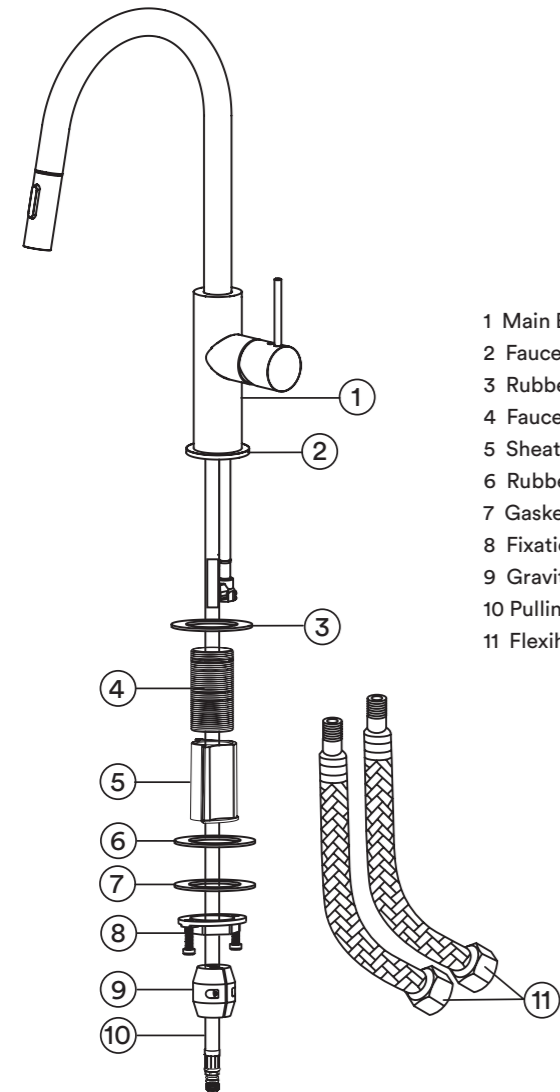
Kitchen Mixer with
Extended Spout.
MIX-SS-002

Installation Guide

STEEL

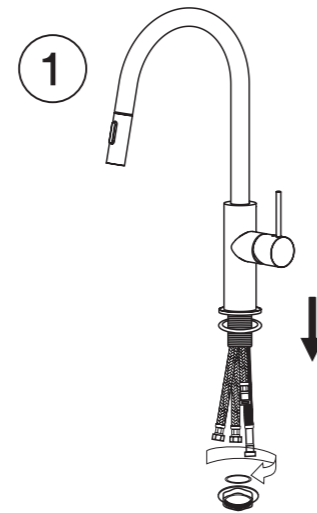


Product Parts List

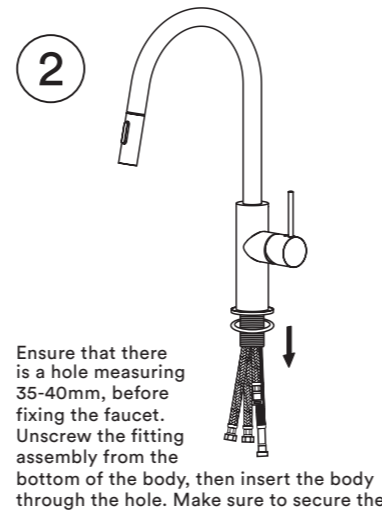


- 1 Main Body
- 2 Faucet Base (built in)
- 3 Rubber O Ring
- 4 Faucet Shank
- 5 Sheath
- 6 Rubber Cushion
- 7 Gasket
- 8 Fixation Nut
- 9 Gravity Ball
- 10 Pulling Tube
- 11 Flexihose

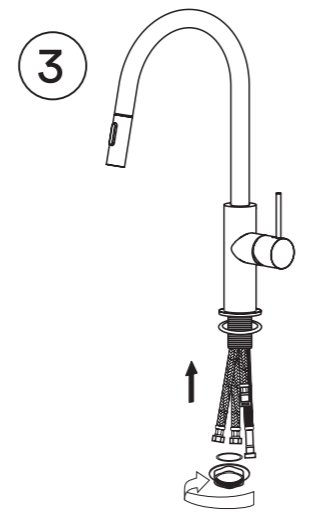
Installation Steps



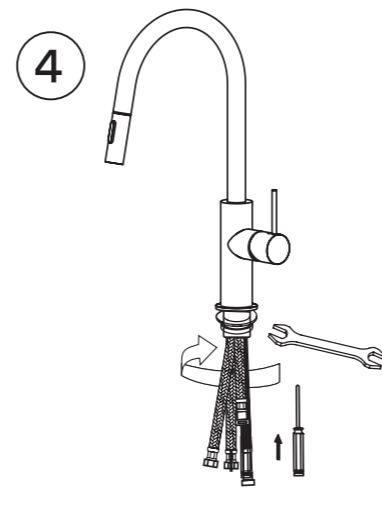
Remove from the faucet.



Ensure that there is a hole measuring 35-40mm, before fixing the faucet. Unscrew the fitting assembly from the bottom of the body, then insert the body through the hole. Make sure to secure the O-ring between the bottom of the body and the basin.

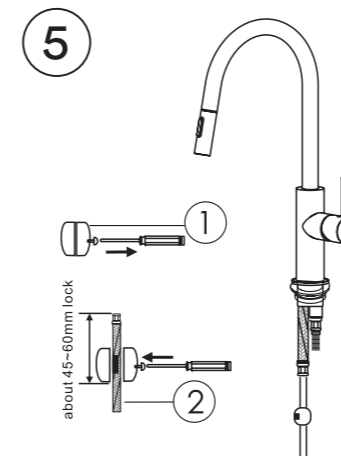


Reattaching Rubber gasket, Gasket, lock nut back onto the faucet in the sequence show on the drawing above.

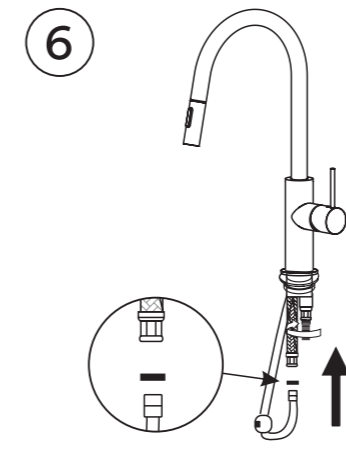


Tighten the lock nut to ensure that the faucet is installed smoothly and firmly. Tighten the two screws on the lock nut with a screwdriver.

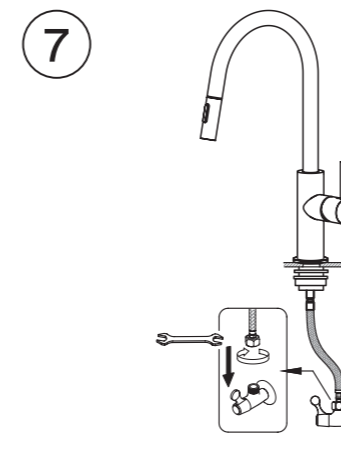
Installation Steps



Install the gravity ball at the marked place along the draw tube. The position of the gravity ball will directly affect the pulling distance and the pulling force. Please adjust the position according to your personal use.



Connect the draw-tube, rubber ring should be inserted into the faucet end before connecting.



Connect the inlet hose to the angle valve according to the hot and cold mark and tighten. Before connecting, please confirm that there is a sealing rubber gasket in the inlet hose connector.

Read installation guide and adhere to all instructions.

Installation Instructions

- Check parts against the product parts list. Contact the distributor if any parts are missing.
- Ensure that the product matches the description on the box.
- The body has been tested by the factory. Do not disassemble it.
- Connect the left side to the hot water supply and the right side to the cold water supply.
- Clean any impurities and sludge from the inlet water pipes before assembly to ensure proper functioning.
- Check for any leaks after assembly.
- The medium temperature must not exceed 60°C.
- Recommend Flow Pressure should be 3 bar (including cold water pressure).
- When tightening the connecting nut, do not exceed 10 Nm.
- Avoid bending the hose excessively to prevent deformation after installation.
- If mixer is installed with a continuous flow geyser, the minimum flow pressure of the unit should be the suggested 3 bar.
- Apply copper slip lubricant to prevent seizing of threaded fasteners.