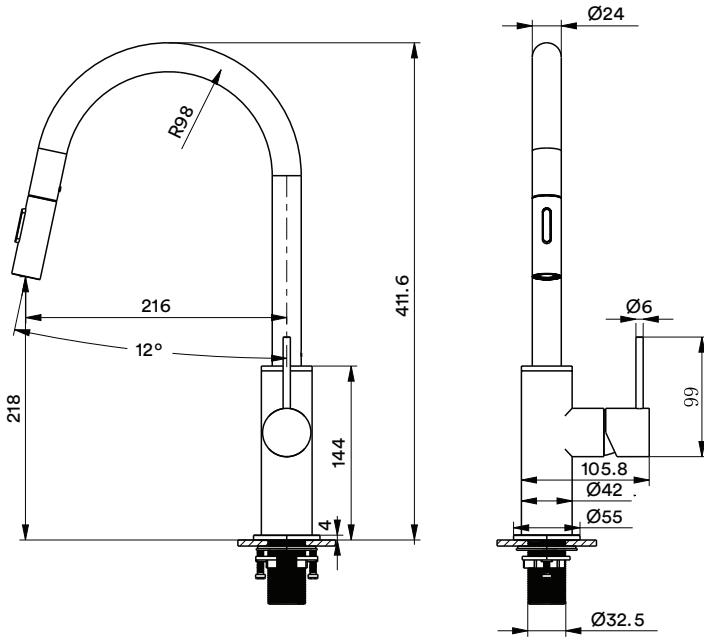


TECHNICAL SPECIFICATIONS



PRODUCT

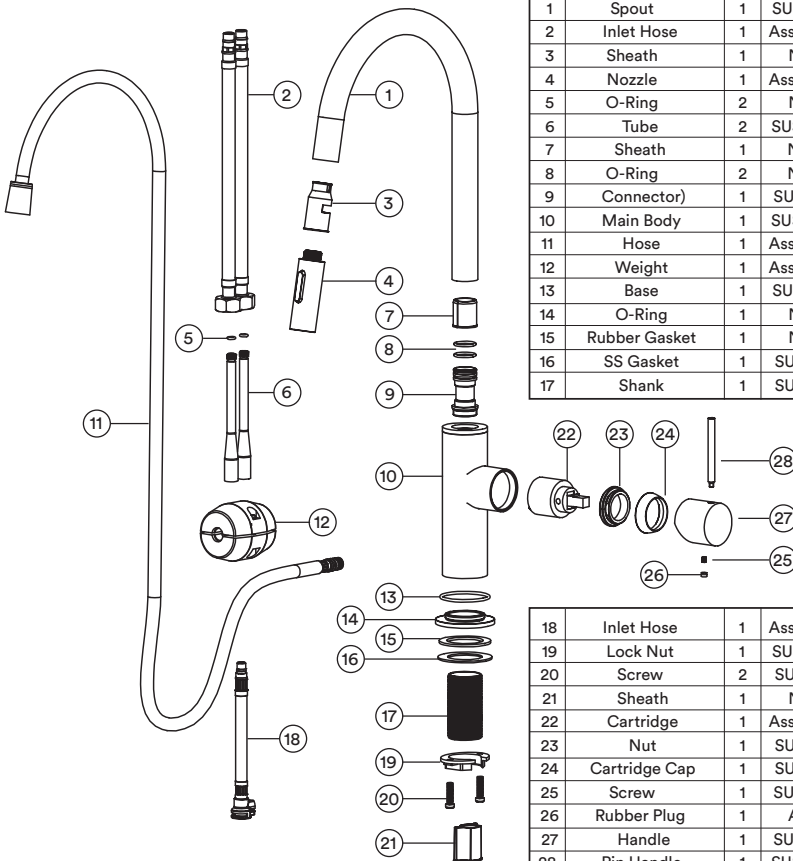


STEEL

MIX - SS - 002

Extended Kitchen Mixer

DETAILED ASSEMBLY



No	Description	Qty	Material
1	Spout	1	SUS-316
2	Inlet Hose	1	Assembly
3	Sheath	1	NBR
4	Nozzle	1	Assembly
5	O-Ring	2	NBR
6	Tube	2	SUS-304
7	Sheath	1	NBR
8	O-Ring	2	NBR
9	Connector	1	SUS-316
10	Main Body	1	SUS-316
11	Hose	1	Assembly
12	Weight	1	Assembly
13	Base	1	SUS-304
14	O-Ring	1	NBR
15	Rubber Gasket	1	NBR
16	SS Gasket	1	SUS-316
17	Shank	1	SUS-316

18	Inlet Hose	1	Assembly
19	Lock Nut	1	SUS-316
20	Screw	2	SUS-316
21	Sheath	1	NBR
22	Cartridge	1	Assembly
23	Nut	1	SUS-316
24	Cartridge Cap	1	SUS-316
25	Screw	1	SUS-316
26	Rubber Plug	1	ABS
27	Handle	1	SUS-316
28	Pin Handle	1	SUS-316

FEATURES

- 15 year warranty.
- 316 stainless steel.
- European cartridge.
- Flow rate: 6.5 Litres per minute @ 3 bar pressure.



WARRANTY

Refer to joansa.co.za for warranty terms & conditions.

CARE

Preparation:

Apply copper slip lubricant to prevent seizing of threaded fasteners.

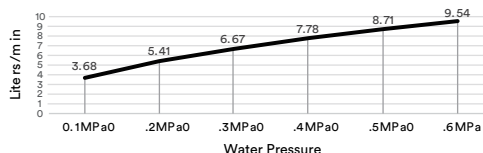
Cleaning:

- Remove dirt using clean water and a soft cotton cloth.
- Clean the stainless steel surface with:
 - Gentle liquid detergent.
 - Colourless glass cleaner.
 - Non-abrasive polishes.
- Dry and remove all cleaning material with a soft cotton cloth.

CERTIFICATION

JASWIC APPROVED.
SABS TESTED & APPROVED.

FLOW RATE



Joan

Stainless Steel
with a conscience

+27 (021) 510 0489
30 Royal Road, Maitland,
Cape Town. 7405. South Africa