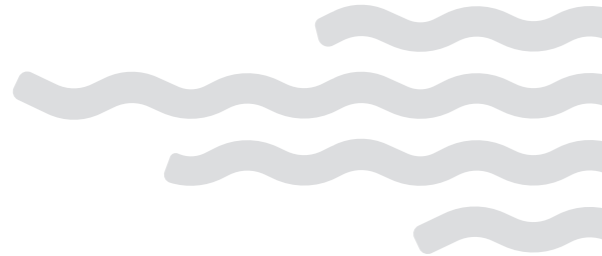


## Read installation guide and adhere to all instructions.

### Installation Instructions

- Check parts against the product parts list. Contact the distributor if any parts are missing.
- Ensure that the product matches the description on the box.
- The body has been tested by the factory. Do not disassemble it.
- Connect the left side to the hot water supply and the right side to the cold water supply.
- Clean any impurities and sludge from the inlet water pipes before assembly to ensure proper functioning.
- Check for any leaks after assembly.
- The medium temperature must not exceed 60°C.
- Recommend Flow Pressure should be 3 bar (including cold water pressure).
- When tightening the connecting nut, do not exceed 10 Nm.
- Avoid bending the hose excessively to prevent deformation after installation.
- If mixer is installed with a continuous flow geyser, the minimum flow pressure of the unit should be the suggested 3 bar.
- Apply copper slip lubricant to prevent seizing of threaded fasteners.



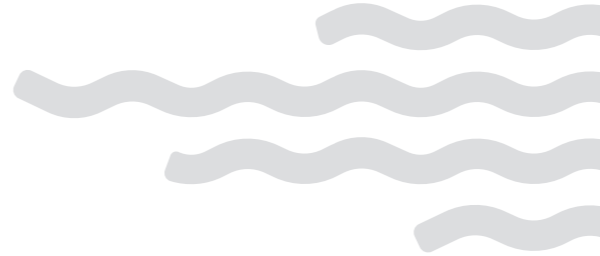
### Care and Maintenance

- To maintain the brightness of your mixer, clean it regularly.
- Wash the mixer with clean water and dry it with a soft cotton cloth.
- To avoid damaging the surface, do not use polishing powders or cleaning agents that contain coarse particles.
- Avoid using acidic detergents, as they may cause corrosion.

### Cleaning Procedure

- Use clean water and a soft cloth to remove dirt.
- Use any of the following to clean the surface:
  - Gentle liquid detergent
  - Colourless glass cleaner
  - Non-abrasive polishes
- Ensure all cleaning material is removed and dry the mixer with a soft cotton cloth.

***All manuals and documents for the product must be handed to the end user, or liability may be restricted. Installation must be performed by a certified plumber, following national regulations and directives of the local water supply authorities. Compliance with local accident prevention laws is of utmost importance.***

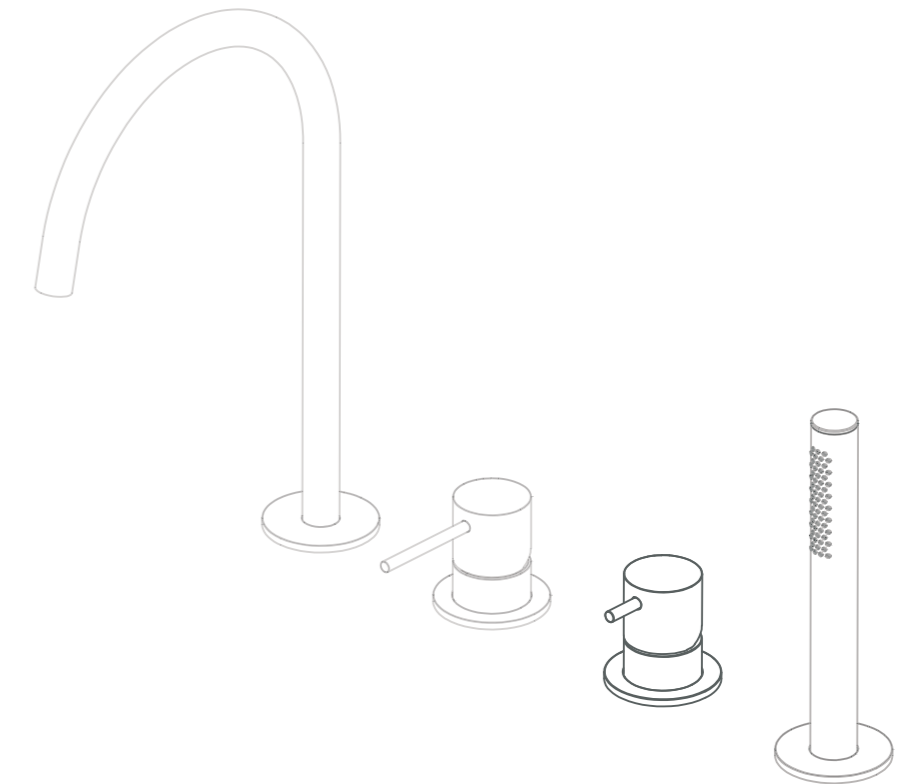


Joan

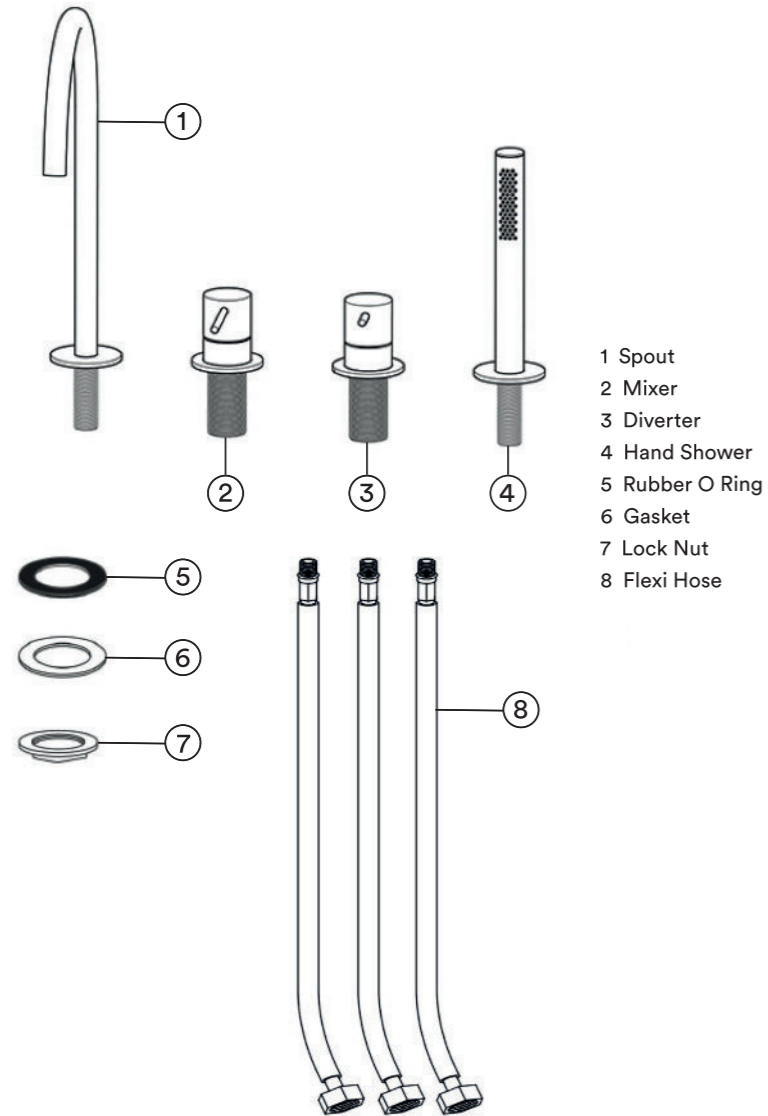
Deck Mounted Diverter.  
DIV-SS-001

### Installation Guide

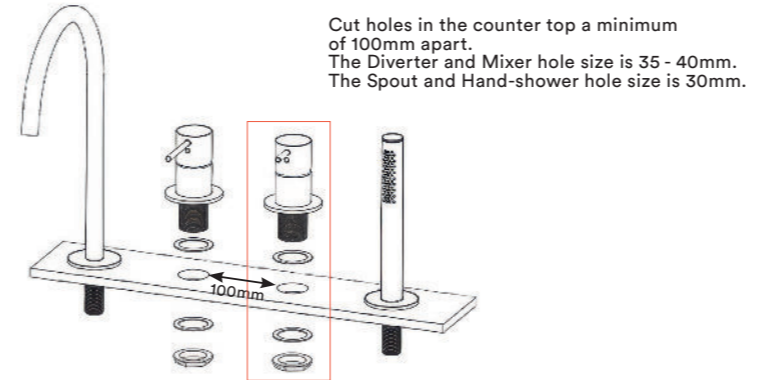
STEEL



## Installation of 4-piece set of split basin faucet.

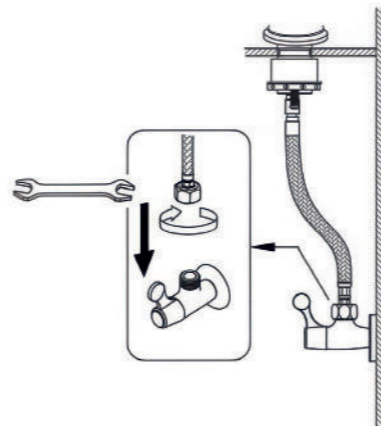


1



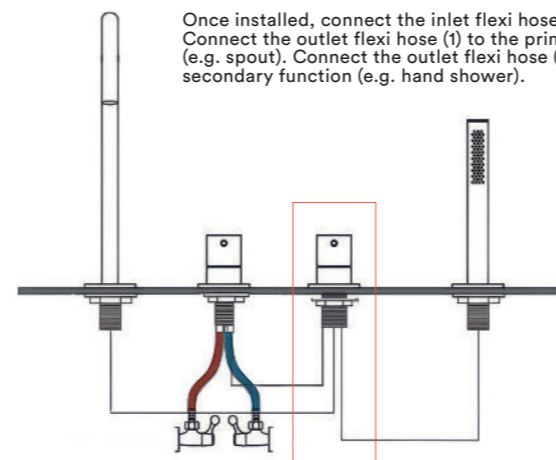
2

To install the diverter into the top, unscrew the fitting assembly from the bottom of the body, then insert the body through the hole.  
Make sure to secure the o ring between the bottom of the body and the top. Securely attach the fitting. Install the three flexi hoses, one inlet hose and two outlet hoses to the connection at the bottom.



3

Once installed, connect the inlet flexi hose to the mixer. Connect the outlet flexi hose (1) to the primary function (e.g. spout). Connect the outlet flexi hose (2) to the secondary function (e.g. hand shower).



Joan

Stainless steel tapware with a clear conscience.

If you have questions regarding the installation or operation, do not hesitate to reach out to the Technical Service department.

(021) 510-0489  
www.joansa.co.za