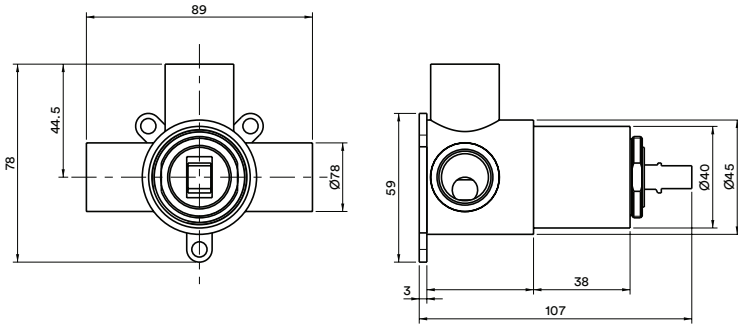


TECHNICAL SPECIFICATIONS



PRODUCT

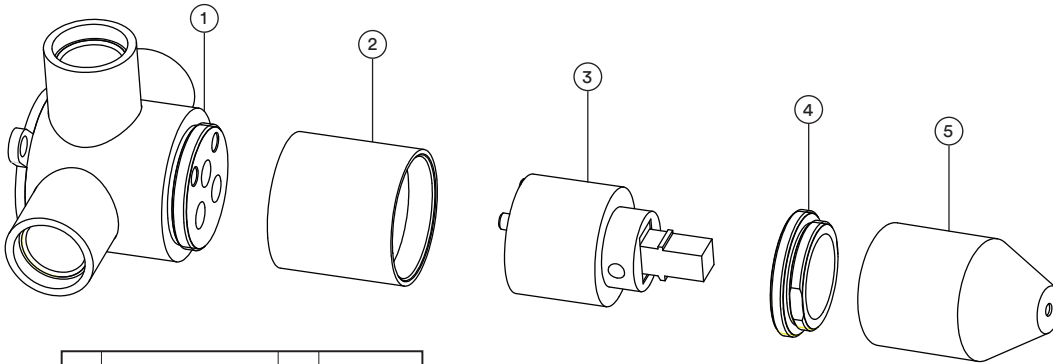


STEEL

CON - SS - 002

Concealed Body Shower Mixer

DETAILED ASSEMBLY



No	Description	Qty	Material
1	Shower Body	1	316L
2	Cartridge Cover	1	316L
3	Cartridge	1	Assembly
4	Cartridge Nut	1	316L
5	Plastic Sleeve	1	ABS

FEATURES

- 15 year warranty.
- 316 stainless steel.
- European cartridge.
- Flow rate: 23 Litres per minute @ 3 bar pressure.



WARRANTY

Refer to joansa.co.za for warranty terms & conditions.

CARE

Preparation:

Apply copper slip lubricant to prevent seizing of threaded fasteners.

Cleaning:

- Remove dirt using clean water and a soft cotton cloth.
- Clean the stainless steel surface with:
 - Gentle liquid detergent.
 - Colourless glass cleaner.
 - Non-abrasive polishes.
- Dry and remove all cleaning material with a soft cotton cloth.

CERTIFICATION

JASWIC APPROVED.
SABS TESTED & APPROVED.

Joan

Stainless Steel
with a conscience

+27 (021) 510 0489
30 Royal Road, Maitland,
Cape Town. 7405. South Africa

FLOW RATE

