

Read installation guide and adhere to all instructions.

Installation Instructions

- Check parts against the product parts list. Contact the distributor if any parts are missing.
- Ensure that the product matches the description on the box.
- The body has been tested by the factory. Do not disassemble it.
- Connect the left side to the hot water supply and the right side to the cold water supply.
- Clean any impurities and sludge from the inlet water pipes before assembly to ensure proper functioning.
- Check for any leaks after assembly.
- The medium temperature must not exceed 60°C.
- Recommend Flow Pressure should be 3 bar (including cold water pressure).
- When tightening the connecting nut, do not exceed 10 Nm.
- Avoid bending the hose excessively to prevent deformation after installation.
- If mixer is installed with a continuous flow geyser, the minimum flow pressure of the unit should be the suggested 3 bar.
- Apply copper slip lubricant to prevent seizing of threaded fasteners.

Care and Maintenance

- To maintain the brightness of your mixer, clean it regularly.
- Wash the mixer with clean water and dry it with a soft cotton cloth.
- To avoid damaging the surface, do not use polishing powders or cleaning agents that contain coarse particles.
- Avoid using acidic detergents, as they may cause corrosion.

Cleaning Procedure

- Use clean water and a soft cloth to remove dirt.
- Use any of the following to clean the surface:
 - Gentle liquid detergent
 - Colourless glass cleaner
 - Non-abrasive polishes
- Ensure all cleaning material is removed and dry the mixer with a soft cotton cloth.

All manuals and documents for the product must be handed to the end user, or liability may be restricted. Installation must be performed by a certified plumber, following national regulations and directives of the local water supply authorities. Compliance with local accident prevention laws is of utmost importance.

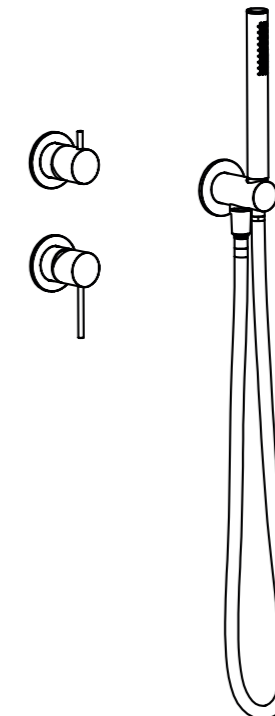
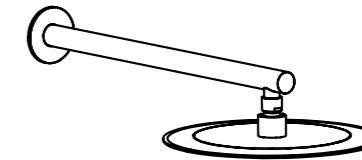
Joan

Concealed Part Shower Mixer Diverter Finish Set

CON-SS-001 / FIN-SS-001

Installation Guide

STEEL

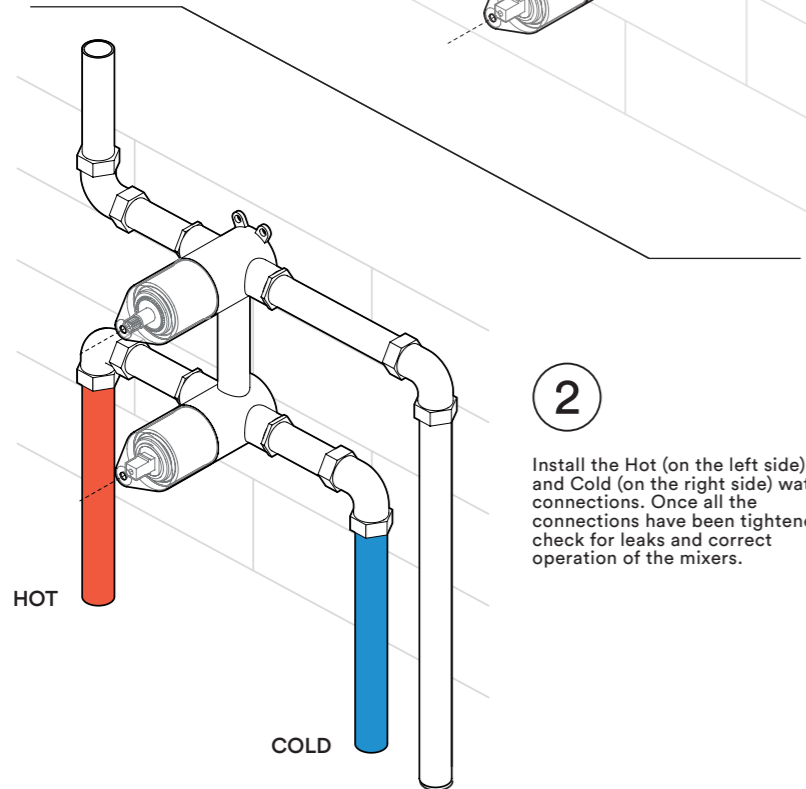
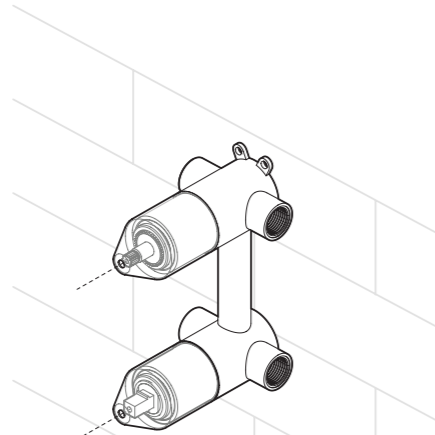


Installation Steps

1

THE CONCEALED BODY OF THE DIVERTER MIXER.

Fix the body of the mixer to a suitable fixing plate or noggin. Ensure the mixer body is level. Ensure the protective plastic cover is left on the body during installation. Use the Minimum / Maximum levels on the body to ensure that you leave enough of the body exposed after tiling to install the trim kit.



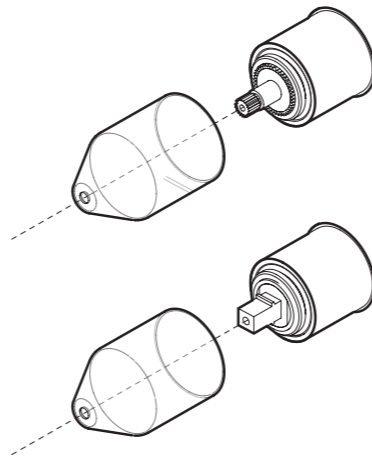
2

Install the Hot (on the left side) and Cold (on the right side) water connections. Once all the connections have been tightened, check for leaks and correct operation of the mixers.

3

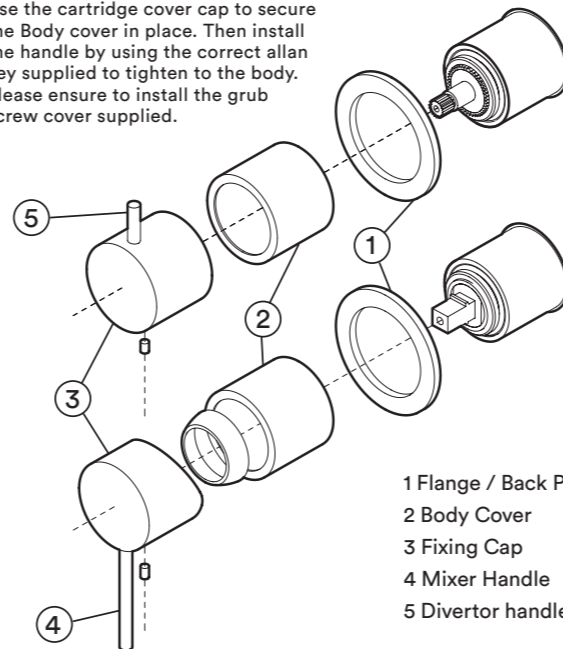
FINISH SET

Remove the protective cover and carefully slide on the back plate and body cover over the mixer and the diverter body until it is firm up against the wall.



4

Use the cartridge cover cap to secure the Body cover in place. Then install the handle by using the correct allen key supplied to tighten to the body. Please ensure to install the grub screw cover supplied.



- 1 Flange / Back Plate
- 2 Body Cover
- 3 Fixing Cap
- 4 Mixer Handle
- 5 Divertor handle

Joan

Stainless steel tapware
with a clear conscience.

If you have questions regarding the installation or operation, do not hesitate to reach out to the Technical Service department.

(021) 510-0489
www.joansa.co.za