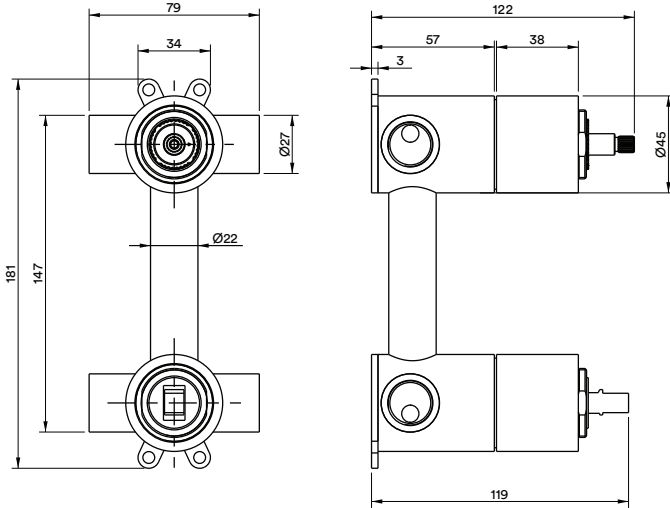


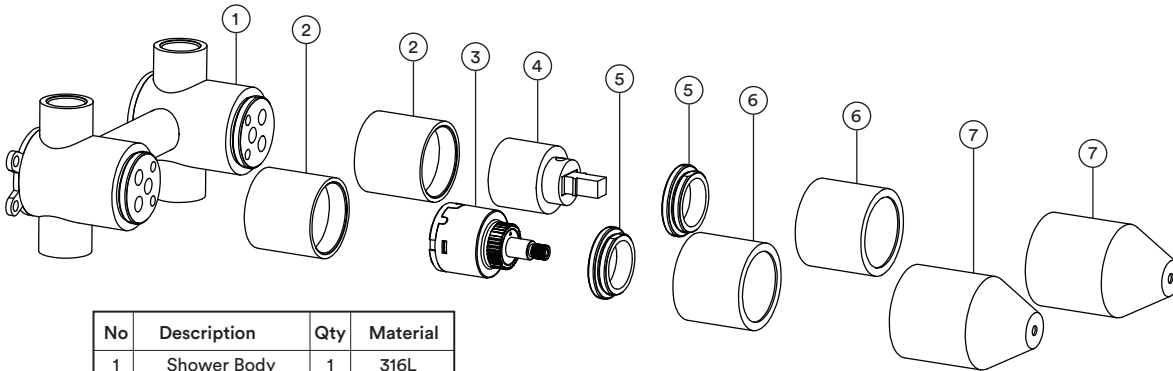
## TECHNICAL SPECIFICATIONS



## PRODUCT



## DETAILED ASSEMBLY



No	Description	Qty	Material
1	Shower Body	1	316L
2	Cartridge Cover	2	316L
3	Divertor Cartridge	1	Assembly
4	Cartridge	1	Assembly
5	Cartridge Nut	2	316L
6	Cartridge Cap	2	316L
7	Plastic Sleeve	2	ABS

### FEATURES

- 15 year warranty.
- 316 stainless steel.
- European cartridge.
- Flow rate: 22 Litres per minute @ 3 bar pressure.



### WARRANTY

Refer to [joansa.co.za](http://joansa.co.za) for warranty terms & conditions.

### CARE

- Preparation:**  
Apply copper slip lubricant to prevent seizing of threaded fasteners.
- Cleaning:**
- Remove dirt using clean water and a soft cotton cloth.
  - Clean the stainless steel surface with:
    - Gentle liquid detergent.
    - Colourless glass cleaner.
    - Non-abrasive polishes.
  - Dry and remove all cleaning material with a soft cotton cloth.

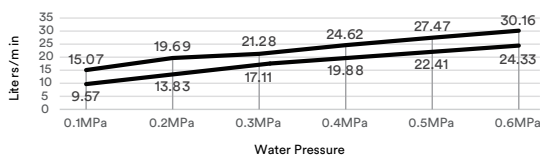
### CERTIFICATION

JASWIC APPROVED.  
SABS TESTED & APPROVED.

**Joan**  
Stainless Steel  
with a conscience

+27 (021) 510 0489  
30 Royal Road, Maitland,  
Cape Town. 7405. South Africa

### FLOW RATE



**STEEL**  
CON - SS - 001  
Concealed Body Diverter