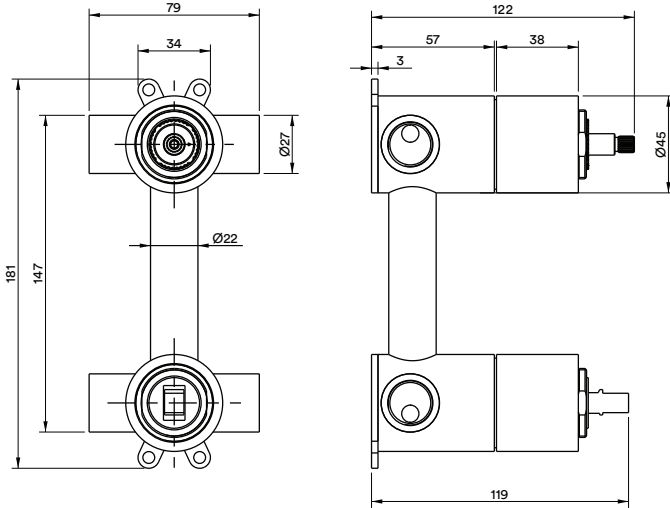


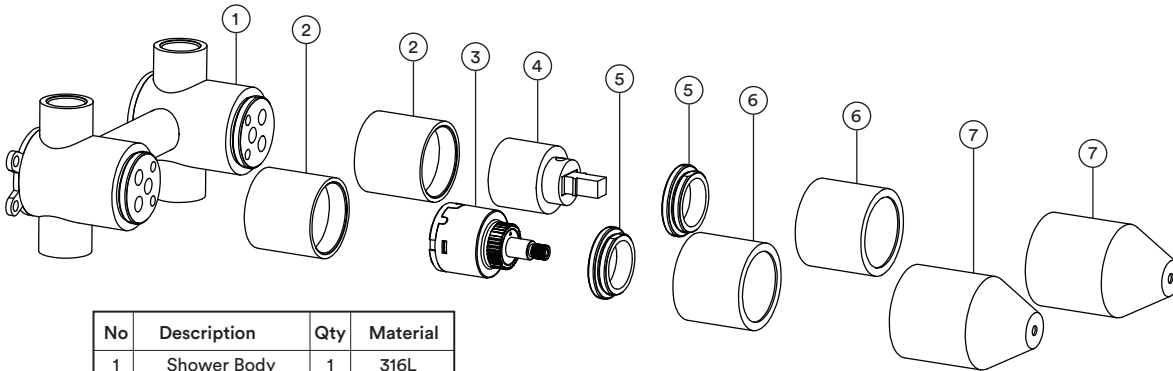
TECHNICAL SPECIFICATIONS



PRODUCT



DETAILED ASSEMBLY



No	Description	Qty	Material
1	Shower Body	1	316L
2	Cartridge Cover	2	316L
3	Divertor Cartridge	1	Assembly
4	Cartridge	1	Assembly
5	Cartridge Nut	2	316L
6	Cartridge Cap	2	316L
7	Plastic Sleeve	2	ABS

FEATURES

- 15 year warranty.
- 316 stainless steel.
- European cartridge.
- Flow rate: 22 Litres per minute @ 3 bar pressure.



WARRANTY

Refer to joansa.co.za for warranty terms & conditions.

CARE

- Preparation:**
Apply copper slip lubricant to prevent seizing of threaded fasteners.
- Cleaning:**
- Remove dirt using clean water and a soft cotton cloth.
 - Clean the stainless steel surface with:
 - Gentle liquid detergent.
 - Colourless glass cleaner.
 - Non-abrasive polishes.
 - Dry and remove all cleaning material with a soft cotton cloth.

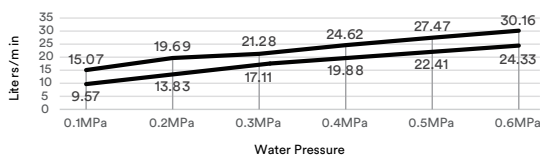
CERTIFICATION

JASWIC APPROVED.
SABS TESTED & APPROVED.

Joan
Stainless Steel
with a conscience

+27 (021) 510 0489
30 Royal Road, Maitland,
Cape Town. 7405. South Africa

FLOW RATE



STEEL
CON - SS - 001
Concealed Body Diverter