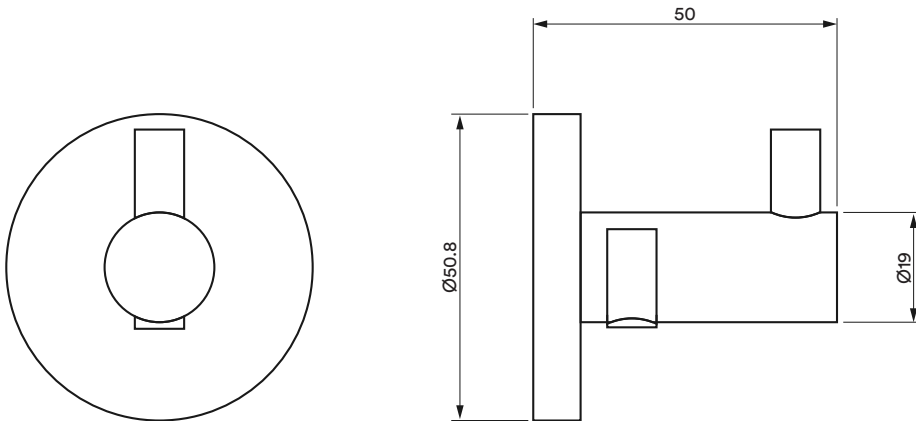


PRODUCT



STEEL
ACC - SS - 001
Robe Hook

TECHNICAL SPECIFICATIONS



FEATURES

- 15 year warranty.
- 316 stainless steel.
- 50mm depth.



WARRANTY

Refer to joansa.co.za for warranty terms & conditions.

CARE

Cleaning:

- To maintain the brightness of your bathroom accessory, clean it regularly.
- Wash the bathroom accessory with clean water and dry it with a soft cotton cloth.
- To avoid damaging the surface, do not use polishing powders or cleaning agents that contain coarse particles.
- Avoid using acidic detergents, as they may cause corrosion.

Joan
Stainless Steel
with a conscience

+27 (0)21 510 0489
30 Royal Road, Maitland
Cape Town. 7405. South Africa